

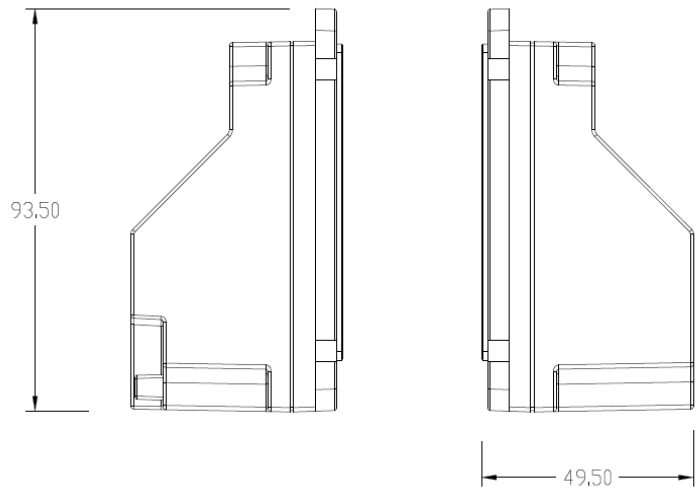
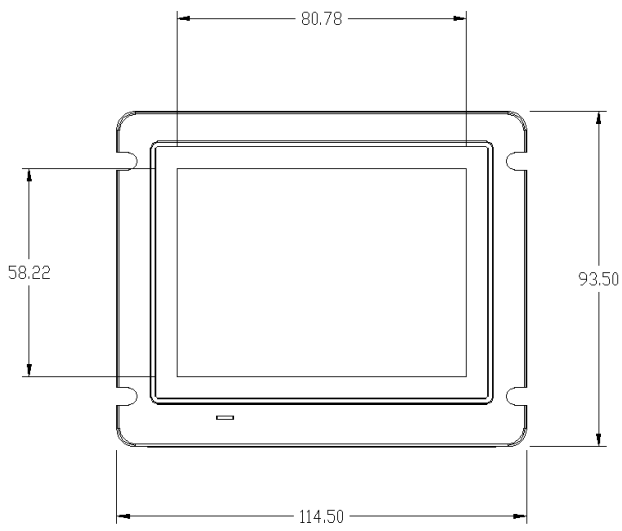
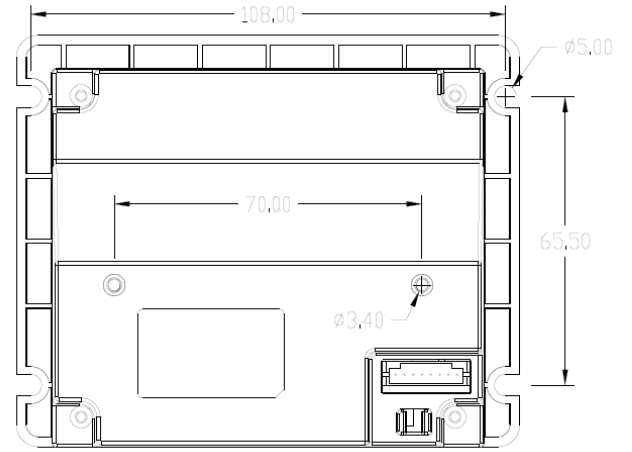
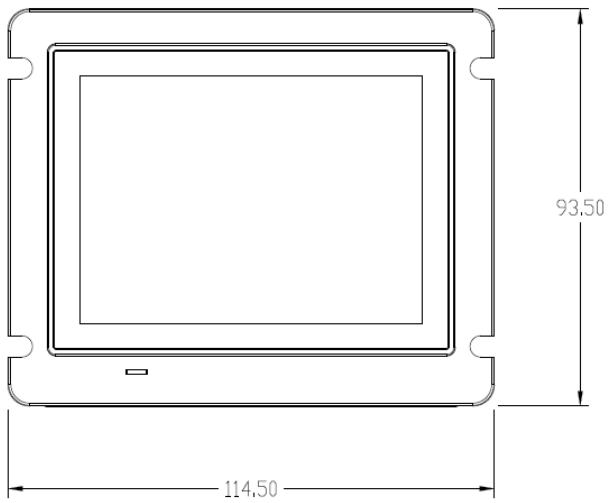
Model Number: HW-3386



## Features

- Easily read all mainstream 1D&2D bar codes.
- Support more than 15% printing contrast bar codes.
- Wide field-of-view, Omni-directional scanning capability.
- 300,000 pixels global shutter, with great speed and precision.
- With its compact size, simple installation, and loud sound features.
- Excellent choice for self-service kiosks, self-service gates, access control, and other self-service equipment.

## Dimensions



# Technical Specification

Performance Parameter																									
Light Source	LED Red light ( Germany )																								
Image sensor	640*480 pixels																								
Resolution(maximum)	0.102mm / 4mils																								
Print contrast ratio(minimum)	≥20%																								
Motion tolerance	2M/sec																								
Reading Angle	Pitch: 0-360°; Roll(Tilt): ±60°; Skew (Yaw): ±60°																								
Decoding Capability	1D: All standard 1D codes, including GS1 DataBar™ linear code can be automatically distinguished and decoded. 2D: Aztec Code; Data Matrix; MaxiCode; QRCode; HANXIN; MicroQR Code Stack code: GS1 DataBar Expanded Stacked; GS1 DataBar Stacked; GS1 DataBar Stacked Omnidirectional; GS1 DataBar Composite; MicroPDF417; PDF417.																								
Reading Indicators	LED light&Buzzer(adjustable tone and volume )																								
Typical depth of Field	<table border="1"> <thead> <tr> <th>Precision</th> <th>Bar code</th> <th>Depth of Field</th> </tr> </thead> <tbody> <tr> <td>5mil</td> <td>CODE128</td> <td>0mm—70mm</td> </tr> <tr> <td>5mil</td> <td>EAN-13</td> <td>0mm—70mm</td> </tr> <tr> <td>13.34mil</td> <td>EAN-13</td> <td>0mm—240mm</td> </tr> <tr> <td>5mil</td> <td>PDF417</td> <td>5mm—60mm</td> </tr> <tr> <td>10mil</td> <td>PDF417</td> <td>0mm—170mm</td> </tr> <tr> <td>15mil</td> <td>PDF417</td> <td>0mm—280mm</td> </tr> <tr> <td>20mil</td> <td>DM</td> <td>5mm—80mm</td> </tr> </tbody> </table> <p>(The minimum depth of field is determined by the barcode length and scanning angle. It depends on the print resolution, contrast and ambient light.)</p>	Precision	Bar code	Depth of Field	5mil	CODE128	0mm—70mm	5mil	EAN-13	0mm—70mm	13.34mil	EAN-13	0mm—240mm	5mil	PDF417	5mm—60mm	10mil	PDF417	0mm—170mm	15mil	PDF417	0mm—280mm	20mil	DM	5mm—80mm
Precision	Bar code	Depth of Field																							
5mil	CODE128	0mm—70mm																							
5mil	EAN-13	0mm—70mm																							
13.34mil	EAN-13	0mm—240mm																							
5mil	PDF417	5mm—60mm																							
10mil	PDF417	0mm—170mm																							
15mil	PDF417	0mm—280mm																							
20mil	DM	5mm—80mm																							
Physical characteristics																									
Color available	Black																								
Dimensions ( L*W*H )	114.5*49.5*93.5																								
Weight	159g																								
Cable	0.6m																								
Electrical Parameter																									
Current	Working current ( Standard): < 300 mA Standby current ( Standard): < 210 mA																								
Input Voltage	5 VDC (+/- 10%)/500mA																								
Environmental Parameter																									
ESD protection(Air discharge)	8 kV																								
Drop resistance	Withstands repeated drops from 1.2m/4.0 ft onto a concrete surface.																								
Particulate and water sealing	IP52																								
Temperature	Operation: 0 to 40 °C Storage/Transport: -40 to 70 °C																								
Humidity(non-condensing)	5 - 95%																								
Ambient light	0 -100,000 lux																								
Interfaces																									
Interfaces	RS-232; USB HID; USB COM; HID POS available as per customer's needs																								
Warranty																									
	18/months																								